

PCB Terminal Block ▶ 745 Series

CAGE CLAMP® ▶ Actuation type: Operating tool ▶ 6 mm² ▶ Number of jumper slots: 1 ▶ Modular terminal block

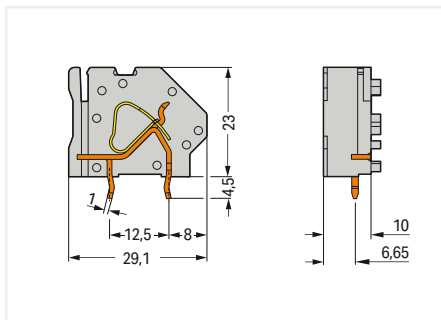
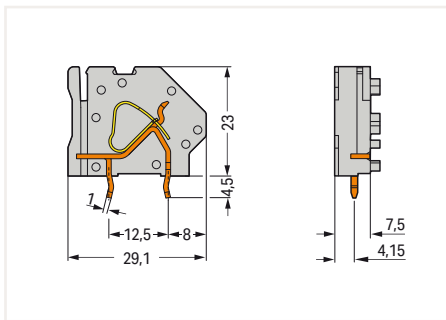
Pin spacing: 7.5 mm (0.295 inch)

Pin spacing: 10 mm (0.394 inch)



Color	Item No.	PU (SPU)
● gray	745-831	100 (50)
● blue	745-834	100 (5)
● light gray	745-833	100 (50)
● green-yellow	745-837	100 (50)
● light green	745-838	100 (50)

Color	Item No.	PU (SPU)
● gray	745-841	100 (50)
● blue	745-844	100 (50)
● light gray	745-843	100 (50)
● green-yellow	745-847	100 (50)
● light green	745-848	100 (50)



Accessories; for all products on this page



End plate; 1.6 mm; snap-on type		
Color	Item No.	PU (SPU)
● gray	745-300	500 (100)



intermediate plate; extends pin spacing; Pin spacing: 2.5 mm (0.098 inch)		
Color	Item No.	PU (SPU)
● gray	745-338	500 (50)



End plate; 9.8 mm; Screw mounting		
Color	Item No.	PU (SPU)
● gray	745-340	200 (50)



End plate; 9.1 mm; Screw mounting		
Color	Item No.	PU (SPU)
● gray	745-345	200 (50)

PU = Packaging Unit; SPU = Subpackaging Unit; Dimensions in mm

Other variants can be requested via the WAGO sales department or, if necessary, configured at <https://configurator.wago.com/>:

- Versions for Ex e II and Ex i
- Other colors